

**General Product Characteristics**

furniture



is there any wood in the product?

- YES     NO

display present?

- YES     NO

assembly required?

- YES     NO

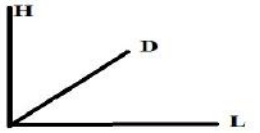
intended use

- internal  
 external  
 internal and external

how many types of wood or wood derivatives are there in the product?

6

Product dimensions



	Packed Product (mm)	tolerance (%)
H:	172	1,0%
D:	30	2,0%
L:	122	1,0%

wood species	species Latin name	COC #	volume (cu m)	parts
MDF	<i>Pinus sylvestris</i> , <i>Pinus strobus</i> , <i>Picea abies</i> , <i>Betula pendula</i> , <i>Alnus glutinosa</i> , <i>Populus tremula</i>	SGSCH-COC-006179; FSC100%	0,00013656m3	Frame
HDF	<i>Pinus sylvestris</i> , <i>Picea abies</i>	CU-COC-846838; MIX CREDIT	0,00006828m3	Back

moisture content (%)	+/- (%)	gross product weight (g)	tolerance (%)	net weight
x	x	252	5,0%	250

remove row

**product specific tests**

test	test method	result	tolerance	comment/equipment
TEST OF STRENGTH	requested by ADEO	Pass		
TEST OF ENDURANC	requested by ADEO	Pass		

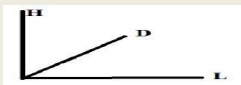
add row

remove row

Packing method				
Kind	Colours	Material	Dimension/density/thickness (mm)	Recycled %
Shrink wrap	Transparent	LDPE (low density)	19µm	0%
Carton box Inner	Brown	corrugated cardboard B	393g/m2	99%
Carton box Master	Brown	corrugated cardboard BC	690g/m2	99%

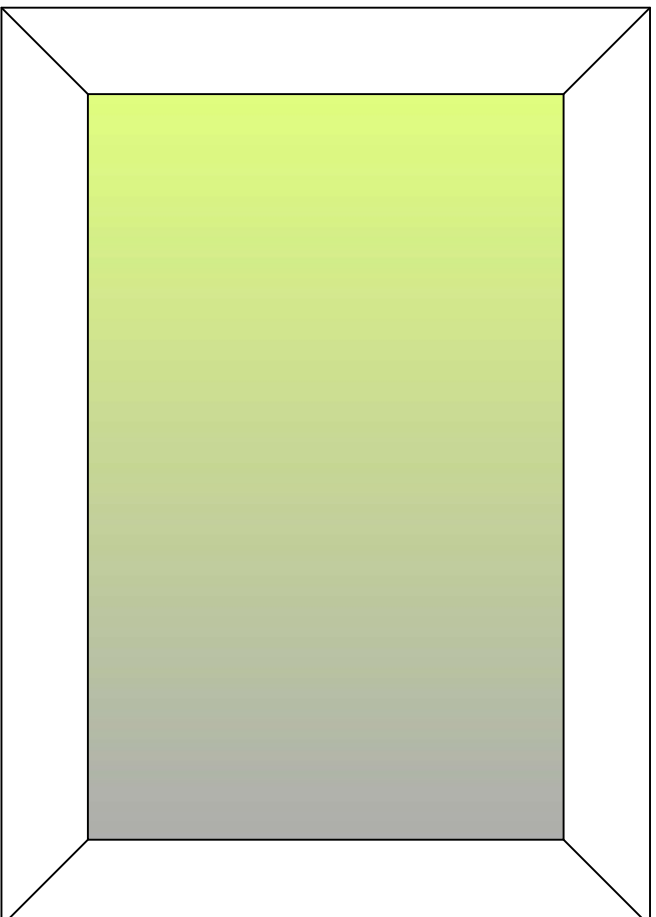
Remarks

BOM				
Component	Material	Color	Dimensions	Quantity
Moulding	MDF/Glue/Veneer	oak effect	16x30	4
Back	HDF	natural	150x100	1
Front	Glass		150x2x100	1
Hangers	Steel	black	12x20	2
Nail	Steel	black	4x15	4
Passe-partout	Paper	white	1mm	0
Face-paper	Paper	black/white	90g/m2	1

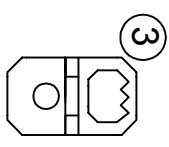
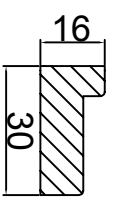
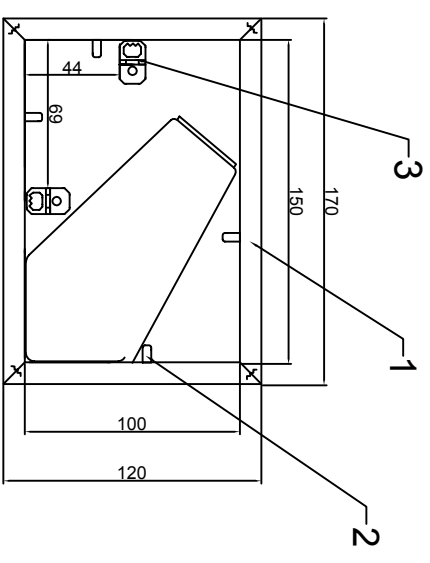


<b>Roll type</b>	Other
<b>Roll size (cm)</b>	
H	130
D	80
L	120

# MILLO 10x15



# MILLO 10x15



3	Zawieszka ZW-1RBM - 2 szt
2	Laniflex - 4 szt
1	Rama 170x120 mm
3	Hanger ZW-1RBM - 2 pcs
2	Laniflex - 4 pcs
1	F-rame 170x120 mm

Rysował	K. Rybiński	Typa rysunku	ADEO ramka MILLO 10X15 - Piecy	
Sprawdził	A. Sobieszka	Data	15.10.2019	Skala
Zakwalifikował	A. Sobieszka		15.10.2019	Numer rysunku
				MN/ADEO/1015

